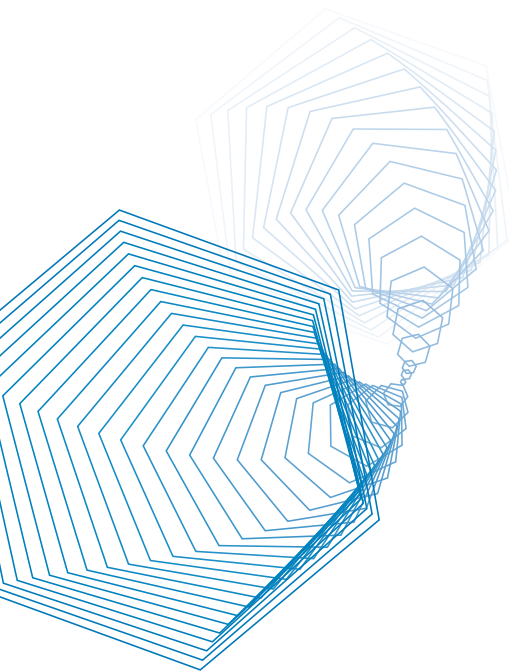


Adobe® LiveCycle™ Forms

Intelligent data-capture solution enables you to extend business processes beyond the firewall by deploying secure electronic forms over the Web.



ADOBE LIVECYCLE FORMS:

- Automatically verifies data as users fill out forms
- Tightly integrates with existing e-mail, ERP, CRM, and legacy systems
- Provides digital signature capabilities through integration with third-party security solutions

Adobe LiveCycle Forms enables organizations to intelligently capture information to streamline form-driven business processes through automation. Whether users are internal or external, Adobe LiveCycle Forms lets you deploy secure XML-based form templates as Adobe PDF or HTML over any platform or device—from PCs to handhelds that use Adobe Reader® software—without requiring any new software or plug-ins.

- Securely extend core business processes beyond the organization
- Leverage dynamic subforms for data capture to improve user experiences and data accuracy
- Automate forms processing with instant client- and server-side validations and calculations
- Complete and submit forms online or offline
- Enable compliance with government accessibility requirements for online forms

Because users can submit forms back into your organization's core systems, Adobe LiveCycle Forms increases the quality of data in core systems, improves customer service, and leverages existing IT investments.

Adobe LiveCycle software is built on a common server architecture based on Java 2 Platform, Enterprise Edition (J2EE) and XML, allowing for easy integration into enterprise infrastructures by providing Java application programming interfaces (APIs) and support for Web services protocols. Adobe LiveCycle is optimized for IBM® WebSphere® software and can be deployed on JBoss application servers.

Build dynamic forms based on user input

Using Adobe LiveCycle Forms, you can create dynamic PDF and HTML forms that capture information inside

and outside the corporate firewall via universal clients, such as the free Adobe Reader or a Web browser. The form can dynamically adapt to user input. This ability to provide better customized forms improves the user experience and helps ensure that your organization captures only the most relevant data.

Accelerate and ease the creation and processing of forms

The intuitive, graphical design tool makes it easy to design forms without deep technical knowledge. This capability allows you to re-create the look-and-feel of existing forms, reduces training costs, and helps reduce IT costs associated with more complex form design. By enabling people to access electronic forms through a universal client, Adobe LiveCycle Forms can help your organization increase user adoption rates and data accuracy.

In addition, Adobe LiveCycle Forms supports third-party arbitrary XML, so your organization can leverage existing data models for rapid deployment of forms. You can also attach an XML schema to an XML form template, allowing you to operate with partners that want to validate the data but do not necessarily have the XML schema.

Enable offline form completion

Online enterprise applications often come with a variety of drawbacks: The applications can be painfully slow, the connections may time out while users fill out forms, and users cannot take forms offline and fill them out at their own convenience. When used with Adobe LiveCycle Reader Extensions, Adobe LiveCycle Forms allows users to take PDF and HTML forms offline, save them locally, and fill them out at their convenience. When users have completed forms, they can go back online to submit them. Offline form completion enables enterprises to

Adobe LiveCycle Forms integrates with the following Adobe products, providing a complete solution for creating, delivering, processing, and managing Intelligent Documents:

- Adobe LiveCycle Document Security
- Adobe LiveCycle Form Manager
- Adobe LiveCycle Reader Extensions
- Adobe LiveCycle Workflow

SYSTEM REQUIREMENTS

Microsoft® Windows Server™ 2003

- Intel® Xeon™ processor at 2.8GHz or faster, or equivalent processor
- 2GB of RAM (minimum)/two CPUs
- 350MB of available hard-disk space for installation
- CD-ROM drive

IBM AIX®

- IBM POWER4™ processor at 1.7GHz or faster, or equivalent processor
- 2GB of RAM (minimum)/two CPUs
- CD-ROM drive

Red Hat® Enterprise Linux® AS 2.1

- Intel Xeon processor at 2.8GHz or faster, or equivalent processor
- 2GB of RAM (minimum)/two CPUs
- 350MB of available hard-disk space for installation
- CD-ROM drive

Sun™ Solaris™ 8 or 9

- Sun UltraSPARC III at 1.2GHz
- 2GB of RAM (minimum)/two CPUs
- Disk space: 30GB; 7,600 rpm drives
- 350MB of available hard-disk space for installation
- CD-ROM drive

Web Application Server/OS

- WebSphere 5.1.0.3 with fix pack PQ88973 for Windows Server 2003
- WebSphere 5.1.0.3 with fix pack PQ88973 on AIX 5L™
- WebSphere 5.1.0.3 with fix pack PQ88973 for Red Hat Enterprise Linux AS 2.1
- WebSphere 5.1.0.3 with fix pack PQ88973 on Solaris 8 and 9
- WebSphere 5.1.0.3 with fix pack PQ88973 on SUSE LINUX 8
- JBoss 3.2.2 on Windows Server 2003
- JBoss 3.2.2 on Red Hat Enterprise Linux AS 2.1

FOR MORE INFORMATION

To learn more about Adobe LiveCycle Forms and the complete line of Adobe LiveCycle products, visit www.adobe.com/products/server/formserver.

Adobe Systems Incorporated
345 Park Avenue, San Jose, CA 95110-2704 USA
www.adobe.com

Adobe, the Adobe logo, Acrobat, Adobe LiveCycle, and Reader are either registered trademarks or trademarks of Adobe Systems Incorporated in the United States and/or other countries. Intel and Xeon are trademarks or registered trademarks of Intel Corporation or its subsidiaries in the United States and other countries. AIX, AIX 5L, IBM, POWER4, and WebSphere are trademarks of International Business Machines Corporation in the United States and/or other countries. Linux is a registered trademark of Linus Torvalds. Microsoft and Windows Server are either registered trademarks or trademarks of Microsoft Corporation in the United States and/or other countries. Red Hat is a trademark or registered trademark of Red Hat, Inc. in the United States and other countries. Solaris and Sun are trademarks or registered trademarks of Sun Microsystems, Inc. in the United States and other countries. All other trademarks are the property of their respective owners.

© 2004 Adobe Systems Incorporated. All rights reserved. Printed in the USA.
95003812 8/04

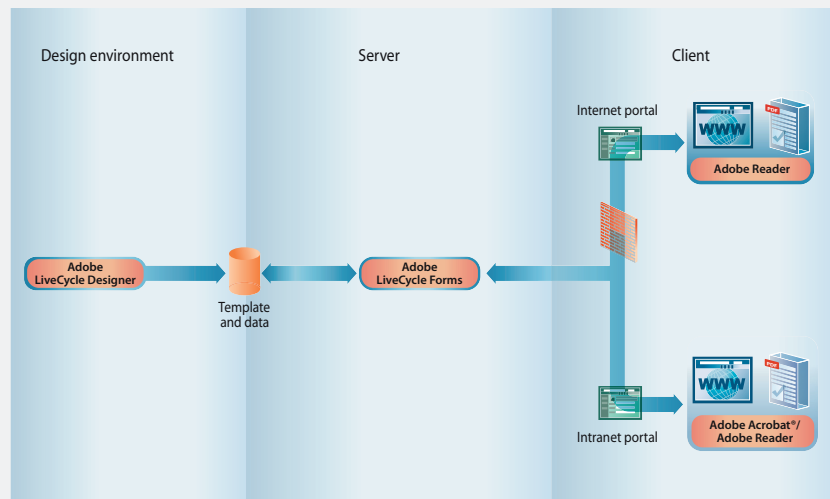


Figure 1: Deploying Electronic Forms across the Web

Adobe LiveCycle Forms renders XML templates as Adobe PDF and HTML forms that can be accessed by both internal and external users.

extend business processes to places where they could not be used previously. And users do not have to stay online to participate in business processes.

Additional features

Enhance security

When used in conjunction with Adobe LiveCycle Document Security, Adobe LiveCycle Forms bolsters the authenticity and security of forms and the data they contain. It incorporates security features that allow users to sign, validate, encrypt, and decrypt PDF files on the server; encrypt and decrypt forms with passwords or public key technology; verify certified form status and signatures; roll back to a particular signature to extract data; sign and validate signatures on PDF forms; and sign a form

with a certified or regular signature. Additional security capabilities such as certified PDF generation and certificate validation are also available by integrating with Adobe LiveCycle Document Security.

Meet government access requirements

With Adobe LiveCycle Forms, you can design accessible online forms that help to meet Section 508 requirements, which mandate that federal agencies' electronic technology be equally accessible to people who may be physically impaired.

Use server resources efficiently

Adobe LiveCycle Forms scales horizontally and vertically to support network cluster environments, enabling your organization to take advantage of load and network balancing as well as redundancy to make better use of server resources.

